

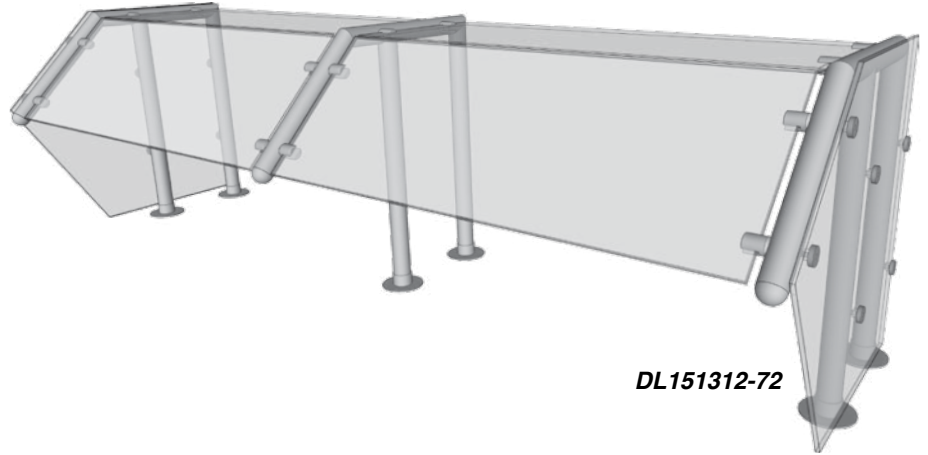
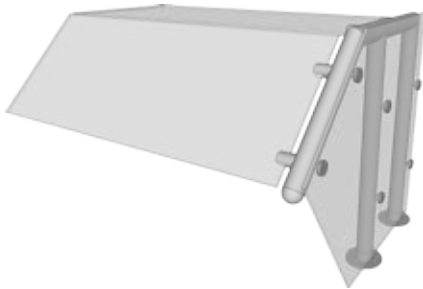
Project: _____ Item: _____ Quantity: _____ Counter Length: _____ Counter Depth: _____

Series: DL

Post Size:

- Round 1"
- Square 1"
- Round 1.5"
- Square 1.5"

Side View:



Glass Width:

- 1/4" 46" Max Length
- 3/8" 58" Max Length
- 1/2" 72" Max Length

Overall Length (OAL)

- 48"
- 72"
- 96"
- Custom

Finish

- Brushed Stainless
- Polished Stainless
- Powder Coat (PC)
Available In Any Colors

Options

End Panels

- Both End Panels (NSF Required)
- None
- 1 Side **Left** _____ **Right** _____

Top Glass

- Adjustable
- Fixed

Electrical

- Safe 12V LED Light Fixture
- Halogen Strip Heater
- Infrared Strip Heater

Glass Mounting

- Bullet Style Glass Clip (standard)
- Winged Offset (custom)
- U Channel (custom)

Post Mounting

- Flange
- Under Counter

All Buffet Drawings Must Be Approved