

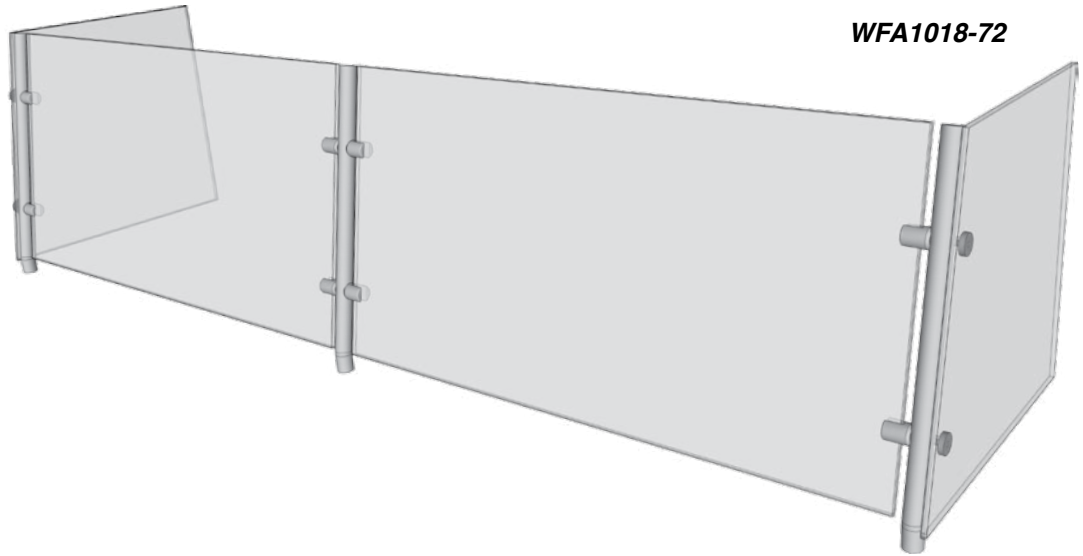
Project: _____ Item: _____ Quantity: _____ Counter Length: _____ Counter Depth: _____

Series: WFA

Post Size:

- Round 1"
- Square 1"
- Round 1.5"
- Square 1.5"

Side View



Glass Width

- 1/4" 46" Max Length
- 3/8" 58" Max Length
- 1/2" 72" Max Length

Overall Length (OAL)

- 48"
- 72"
- 96"
- 120"
- Custom

Finish

Available In Any Colors

- Brushed SS
- Powder Coat (PC)

Options

End Panels

- Both End Panels (NSF Required)
- None
- 1 Side **Left** _____ **Right** _____

Top Glass

- Fixed

Glass Mounting

- Bullet Style Glass Clip (standard)
- Winged Offset (custom)
- U Channel (custom)

PostMounting

- Flange
- Under Counter

All Buffet Drawings Must Be Approved